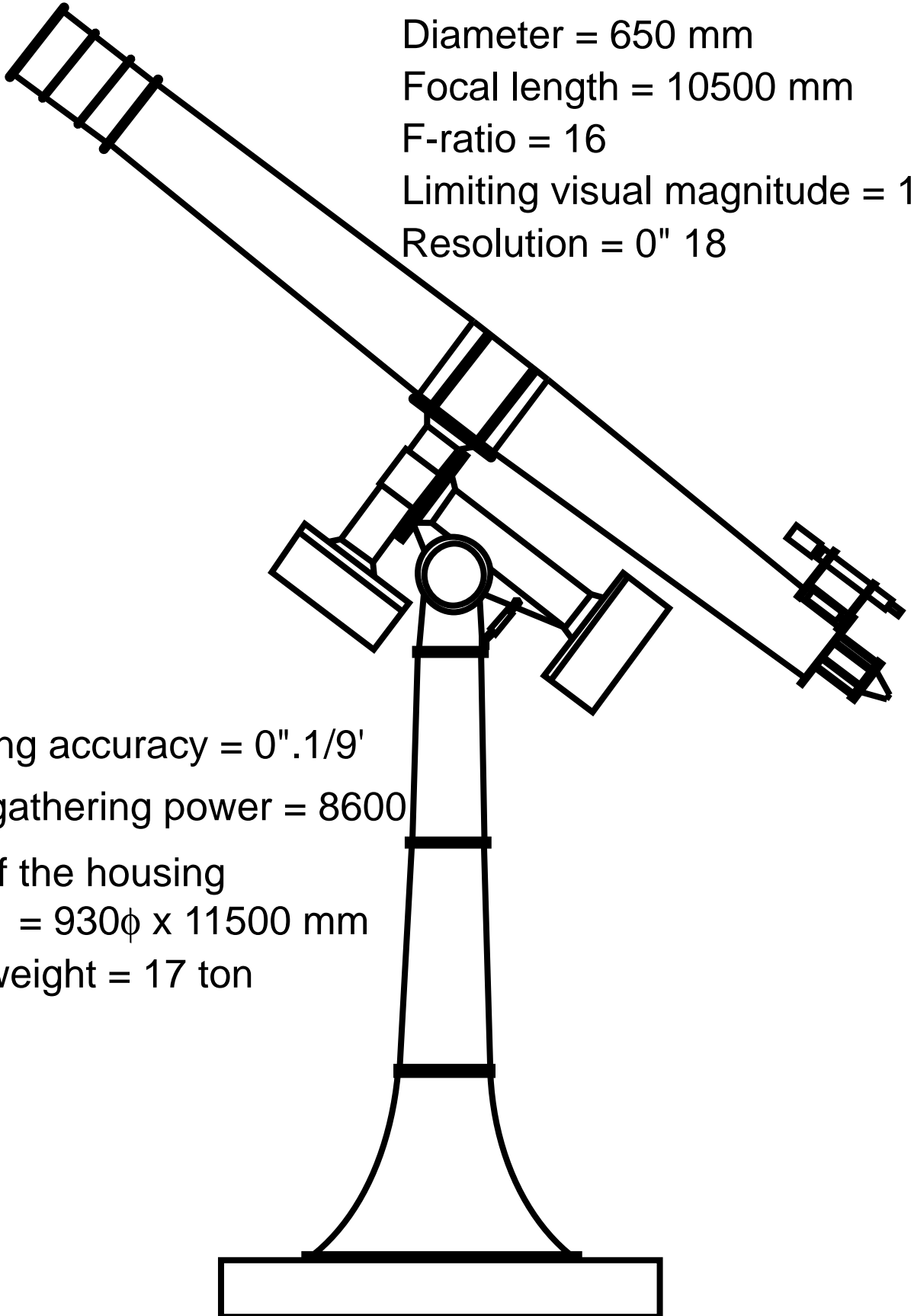


# Hida 65cm Refractor Tele.



Diameter = 650 mm

Focal length = 10500 mm

F-ratio = 16

Limiting visual magnitude = 16.2

Resolution = 0" 18

Tracking accuracy = 0".1/9'

Light-gathering power = 8600

Size of the housing  
= 930 $\phi$  x 11500 mm

Total weight = 17 ton